

# SC

## Mast climbing work platform **Taurus SC6000**

Taurus SC6000 is the mid-heavyweight workhorse of Scanclimber's mast climbing work platforms. It is the perfect tool for any facade work that requires high capacity, whether for new construction or restoration. With a load capacity of up to 5600 kg, and a lifting speed of 11.3 meters per minute, it is perfect for masonry (brick or block), stone or marble facade work from 0 to 300 meters in height.



**SCANCLIMBER**®  
by Tractel®

# Taurus SC6000

## Versatile Work Platform

**RACK AND PINION DRIVEN** SC6000 mast climbing work platform is a mid-heavyweight lifting machine and a working platform – all in one package. It is well-suited for any facade work that requires high capacity, whether for new construction or restoration. It is Scanclimber's entry product for heavy-duty facade work, and for projects requiring extra-large platform size.

**SC6000'S 1.6 M WIDE PLATFORM** provides enough space for workers to perform their job in comfort. Starting from 4.1 meters the single mast Taurus can be increased to 16.9 meters in length. And with two masts the platform length can be extended up to 44.6 meters. It is possible to use this twin as two separate machines if needed.

## Technological Excellence

**BUILDING FACADES** are becoming more and more diverse and constrained, which has been challenging mast climber manufacturers. Taurus' structure allows almost any angled set-ups, and there is a multitude of accessories available that allow the platform to be aligned with different architectural configurations and shapes of the work site. Taurus SC6000 is available with the Scanclimber Snake platform, which, as the name suggests, squirms to 'any' position.

## High Speed Reduces Set Up Time

**SCANCLIMBER TAURUS** is not only fast to climb up the mast, but it is also faster to set up than most other mast climbers. The reason is the stability of the mast sections. The strong and stable mast allows a maximum anchoring distance of 18 meters - which is about double compared to respective rival products. All this contributes to greater labour efficiency and reduced set-up time, and of course to a safer work environment.

## Flexibility with Options

**YOU CAN HAVE TAURUS** with different useful options like:

squirming Snake platform, Bricklayer's extensions, Lifting table LT500, Swinging lifting arm, Glide frame (monorail), mast assembly crane arm and many others.

**SQUIRMING SNAKE** is the platform which can take almost any shape. The Bricklayer's extension is a 'lowered platform' in front of the platform. Lifting table helps you to load material to the platform. Swinging lifting arm helps to move heavy goods and materials on the platform while up. Glide frame is a monorail, which helps you to move goods horizontally on the platform. Very helpful for example in window installation projects. The mast assembly crane makes mast installation easier.

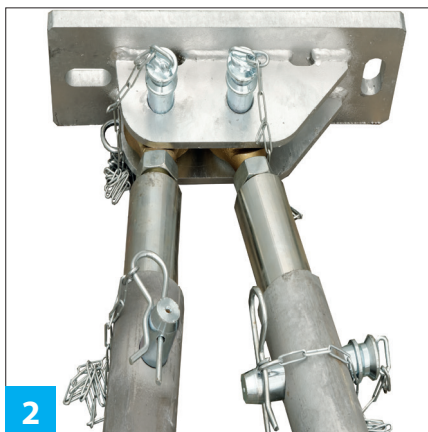
## Long Lifetime – More Profit

Scanclimber has long-lasting quality built in to its mast climbing work platforms.. It is in structures, raw materials, automated manufacturing processes and finishing. For example the mast sections are precision welded from high grade steel by robots and when ready they are finished with hot-dip galvanisation.

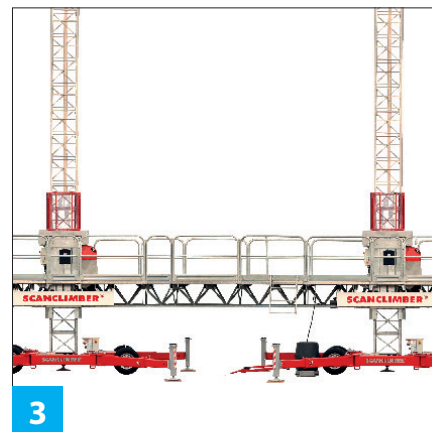




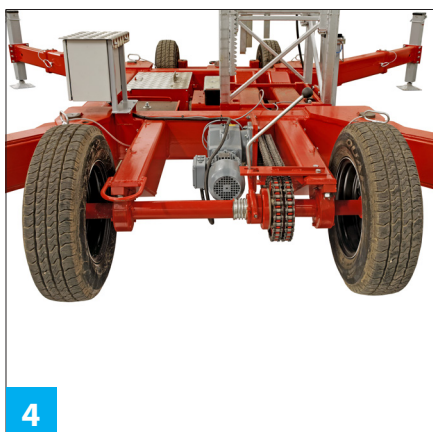
1



2



3



4



5



6

## Details

### Safety brake

**1 A MECHANICAL**, centrifugal safety brake is a standard feature on all Scanclimber mast climbing work platforms. It improves user safety, increases operational reliability and reduces the risk of breakdown. The safety brake is protected from dust and dirt.

### Anchor

**2 A ROBUST PLATFORM** requires sturdy anchoring. The SC6000's mast is mounted on a vertical surface with Maxi anchors, which are considerably stronger and sturdier compared to traditional anchors. An extra-strong anchor allows an anchoring distance of up to 18 meters, which speeds up the mast erection and yields savings.

### Twin masts

**3 A TWIN MAST ARRANGEMENT** makes the SC6000 even more robust and allows the platform length to be nearly tripled from 16.9 meters to 44.6 meters. Also the maximum loading capacity can be almost doubled, if necessary, from 4500 kg to 5600 kg.

### Chassis

**4 THE SC6000** is available with a wheel chassis or mini-chassis. An SC6000 on a wheel chassis can be moved around a work site with its own electric motor, or it can also be towed using a towing bar. The wheel chassis has swivelling telescopic outriggers that can be adjusted in several positions to support the mast climbing work platform. The outriggers allow the machine standing on the wheel chassis to be erected without anchoring. With optimal outrigger positions the largest free-standing heights are: 19 m with a single arrangement and 18 m with a twin mast.

### Extensions

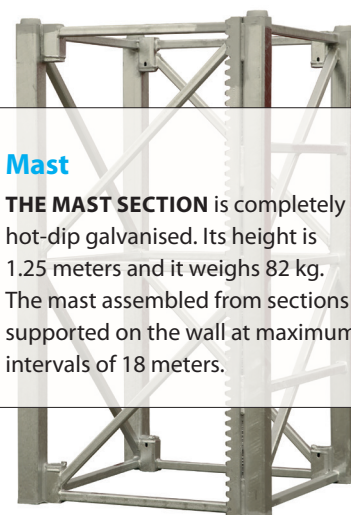
**5 WITH ADJUSTABLE** extensions the platform width can be steplessly extended up to 6 meters. The extensions are available in four sizes: 2.6–6 m, 0–2.5 m, 0–1.8 m, and a bricklayer's extension. With these extensions you can also work behind or around different corners.

### Bricklayer's extension

**6 WORKING ERGONOMICS** can be increased with the bricklayer's extension. It provides an adjustable 55–85 cm wide working deck 70 cm below the platform level. The deck is mounted in front of the platform so it also gives extra space.

### Mast

**THE MAST SECTION** is completely hot-dip galvanised. Its height is 1.25 meters and it weighs 82 kg. The mast assembled from sections is supported on the wall at maximum intervals of 18 meters.



# Technical Data



	Single mast SC6000	Twin mast SC6000
Maximum platform length / loading capacity	4.1 m / 3300 kg 7.3 m / 2900 kg 10.5 m / 2700 kg 13.7 m / 2100 kg 16.9 m / 1400 kg	13.4 m / 5600 kg 23.8 m / 4600 kg 27.0 m / 4100 kg 36.6 m / 2200 kg 44.6 m / 1200 kg
Maximum freestanding height		
- with extended outriggers on both side	12–19 m*	12–18 m*
- with extended outriggers on one side	9–15 m*	9–15 m*
Maximum height with top anchor	25 m	25 m
Maximum height with mast anchored	100 m (higher mast by request)	100 m (higher mast by request)
Distance between anchors	18 m	18 m
Lifting speed	11.3 m / min	11.3 m / min
Mast section, hot-dip galvanised	1.25 m / 82 kg	1.25 m / 82 kg
Electric system		
- lifting motors	2x400 V/50 Hz/5.5 kW, 3 phase/32 A	4x400 V/50 Hz/5.5 kW, 3 phase/32 A
- drive motor	400 V/1.1 kW	2x400 V/1.1 kW
Safety devices		
- overspeed safety brake	◆	◆
- emergency stop and limit switches	◆	◆
- electromagnetic brake	◆	◆
- phase sequency relay	◆	◆
- residual current device	◆	◆

\* depending on the platform length



Scanclimber is the world's technology leader in mast climbing equipment for both temporary and permanent installations. The company has its corporate head office in Pirkkala, Finland, and manufacturing in Gniezno, Poland.

The company employs more than 200 people in Europe and Asia.

Scanclimber creates value for its customers with high quality, reliable and flexible vertical access solutions.

**SCANCLIMBER**®  
by Tractel®

Scanclimber Oy, Turkkirata 26, FI-33960 Pirkkala | [www.scanclimber.com](http://www.scanclimber.com)

Tel. +358 10 680 7000, Fax +358 10 680 7033

Authorised partner